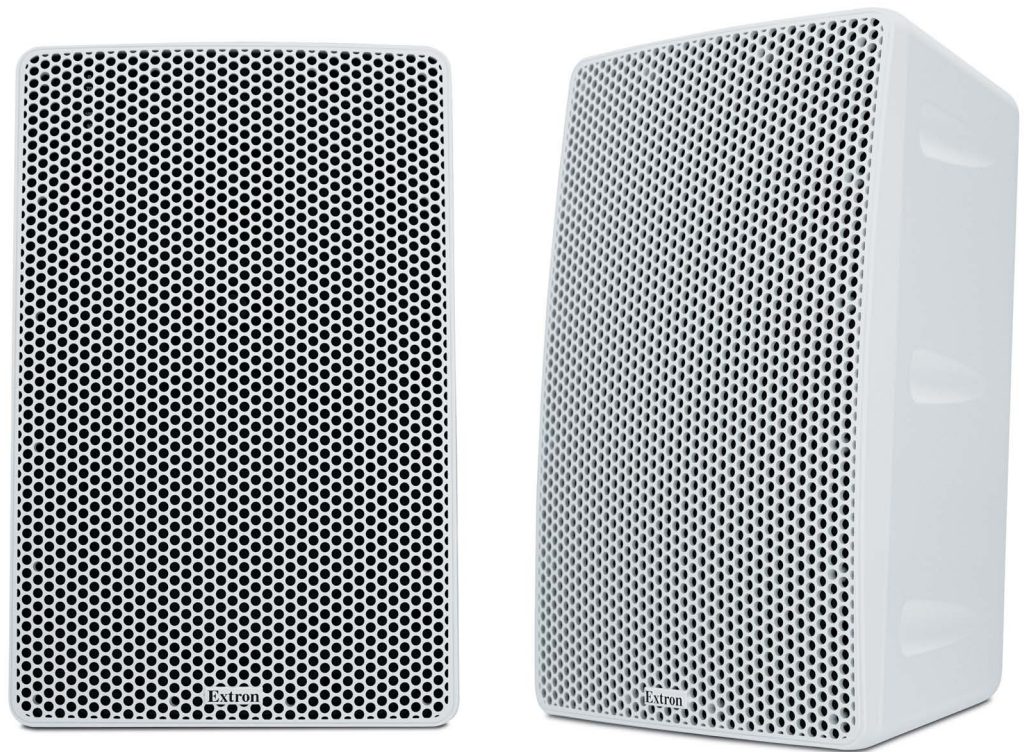


SM 26


SpeedMount® Surface Mount Speakers

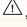


Extron Electronics
INTERFACING, SWITCHING AND CONTROL

Safety Instructions


Safety Instructions • English


WARNING: This symbol, , when used on the product, is intended to alert the user of the presence of uninsulated dangerous voltage within the product's enclosure that may present a risk of electric shock.

ATTENTION: This symbol, , when used on the product, is intended to alert the user of important operating and maintenance (servicing) instructions in the literature provided with the equipment.

For information on safety guidelines, regulatory compliances, EMI/EMF compatibility, accessibility, and related topics, see the Extron Safety and Regulatory Compliance Guide, part number 68-290-01, on the Extron website, www.extron.com.


Instructions de sécurité • Français


AVERTISSEMENT: Ce pictogramme, , lorsqu'il est utilisé sur le produit, signale à l'utilisateur la présence à l'intérieur du boîtier du produit d'une tension électrique dangereuse susceptible de provoquer un choc électrique.

ATTENTION: Ce pictogramme, , lorsqu'il est utilisé sur le produit, signale à l'utilisateur des instructions d'utilisation ou de maintenance importantes qui se trouvent dans la documentation fournie avec le matériel.

Pour en savoir plus sur les règles de sécurité, la conformité à la réglementation, la compatibilité EMI/EMF, l'accessibilité, et autres sujets connexes, lisez les informations de sécurité et de conformité Extron, réf. 68-290-01, sur le site Extron, www.extron.fr.


Sicherheitsanweisungen • Deutsch


WARNUNG: Dieses Symbol , auf dem Produkt soll den Benutzer darauf aufmerksam machen, dass im Inneren des Gehäuses dieses Produktes gefährliche Spannungen herrschen, die nicht isoliert sind und die einen elektrischen Schlag verursachen können.

VORSICHT: Dieses Symbol , auf dem Produkt soll dem Benutzer in der im Lieferumfang enthaltenen Dokumentation besonders wichtige Hinweise zur Bedienung und Wartung (Instandhaltung) geben.

Weitere Informationen über die Sicherheitsrichtlinien, Produkthandhabung, EMI/EMF-Kompatibilität, Zugänglichkeit und verwandte Themen finden Sie in den Extron-Richtlinien für Sicherheit und Handhabung (Artikelnummer 68-290-01) auf der Extron-Website, www.extron.de.


Instrucciones de seguridad • Español


ADVERTENCIA: Este símbolo, , cuando se utiliza en el producto, avisa al usuario de la presencia de voltaje peligroso sin aislar dentro del producto, lo que puede representar un riesgo de descarga eléctrica.

ATENCIÓN: Este símbolo, , cuando se utiliza en el producto, avisa al usuario de la presencia de importantes instrucciones de uso y mantenimiento recogidas en la documentación proporcionada con el equipo.

Para obtener información sobre directrices de seguridad, cumplimiento de normativas, compatibilidad electromagnética, accesibilidad y temas relacionados, consulte la Guía de cumplimiento de normativas y seguridad de Extron, referencia 68-290-01, en el sitio Web de Extron, www.extron.es.

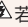
Chinese Simplified (简体中文)


警告:  产品上的这个标志意在警告用户该产品机壳内有暴露的危险电压, 有触电危险。

注意:  产品上的这个标志意在提示用户设备随附的用户手册中有重要的操作和维护(维修)说明。

关于我们产品的安全指南、遵循的规范、EMI/EMF 的兼容性、无障碍使用的特性等相关内容, 敬请访问 Extron 网站 www.extron.cn, 参见 Extron 安全规范指南, 产品编号 68-290-01。

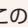
Chinese Traditional (繁體中文)

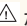
警告:  若產品上使用此符號, 是為了提醒使用者, 產品機殼內存在著可能會導致觸電之風險的未絕緣危險電壓。

注意:  若產品上使用此符號, 是為了提醒使用者。

有關安全性指導方針、法規遵守、EMI/EMF 相容性、存取範圍和相關主題的詳細資訊, 請瀏覽 Extron 網站: www.extron.cn, 然後參閱《Extron 安全性與法規遵守手冊》, 準則編號 68-290-01。

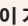
Japanese


警告: この記号  が製品上に表示されている場合は、筐体内に絶縁されていない高電圧が流れ、感電の危険があることを示しています。

注意: この記号  が製品上に表示されている場合は、本機の取扱説明書に記載されている重要な操作と保守(整備)の指示についてユーザーの注意を喚起するものです。

安全上のご注意、法規遵守、EMI/EMF適合性、その他の関連項目については、エクストロンのウェブサイト www.extron.jp より『Extron Safety and Regulatory Compliance Guide』(P/N 68-290-01) をご覧ください。

Korean

경고: 이 기호  가 제품에 사용될 경우, 제품의 인클로저 내에 있는 접지되지 않은 위험한 전류로 인해 사용자가 감전될 위험이 있음을 경고합니다.

주의: 이 기호  가 제품에 사용될 경우, 장비와 함께 제공된 책자에 나와 있는 주요 운영 및 유지보수(정비) 지침을 경고합니다.

안전 가이드라인, 규제 준수, EMI/EMF 호환성, 접근성, 그리고 관련 항목에 대한 자세한 내용은 Extron 웹 사이트(www.extron.co.kr)의 Extron 안전 및 규제 준수 안내서, 68-290-01 조항을 참조하십시오.

Conventions Used in this Guide

Notifications

The following notifications are used in this guide:

CAUTION: A caution indicates a situation that **may** result in minor injury.

ATTENTION: Attention indicates a situation that may damage or destroy the product or associated equipment.

NOTE: A note draws attention to important information.

Specifications Availability

Product specifications are available on the Extron website, www.extron.com.

Copyright

© 2013 Extron Electronics. All rights reserved.

Trademarks

All trademarks mentioned in this guide are the properties of their respective owners.

The following registered trademarks[®], registered service marks^(SM), and trademarks^(TM) are the property of RGB Systems, Inc. or Extron Electronics:

Registered Trademarks ^(®)
AVTrac, Cable Cubby, CrossPoint, eBUS, EDID Manager, EDID Minder, Extron, Flat Field, GlobalViewer, Hideaway, Inline, IP Intercom, IP Link, Key Minder, LockIt, MediaLink, PoleVault, PowerCage, PURE3, Quantum, SoundField, SpeedMount, SpeedSwitch, System Integrator, TeamWork, TouchLink, V-Lock, VersaTools, VN-Matrix, VoiceLift, WallVault, WindoWall, XTP and XTP Systems
Registered Service Mark^(SM) : S3 Service Support Solutions
Trademarks ^(TM)
AAP, AFL (Accu-Rate Frame Lock), ADSP (Advanced Digital Sync Processing), AIS (Advanced Instruction Set), Auto-Image, CDRS (Class D Ripple Suppression), DDSP (Digital Display Sync Processing), DMI (Dynamic Motion Interpolation), Driver Configurator, DSP Configurator, DSVP (Digital Sync Validation Processing), FastBite, FOXBOX, IP Intercom HelpDesk, MAAp, MicroDigital, ProDSP, QS-FPC (QuickSwitch Front Panel Controller), Scope-Trigger, SIS, Simple Instruction Set, Skew-Free, SpeedNav, Triple-Action Switching, XTRA, ZipCaddy, ZipClip

Contents

Introduction 1

- About this Guide..... 1
- About the SM 26 Surface Mount Speaker 1
- Features 1
- Application Diagram 2

Installation 3

- Installing the Speaker Mounting Plate 3
- Mounting to a Wall Stud 5
- Yoke Mounting the SM 26 9
- Attaching a Secondary Support Cable..... 9
- Attaching the Speaker to the Mounting Plate.... 10
- Setting the Tap Selector Switch (SM 26T model only)..... 11
- Using the Security Key to Lock and Unlock the Speaker..... 12
- Removing the Speaker from the Mounting Plate..... 13

Introduction

This section gives an overview of the Extron SM 26 SpeedMount Surface Mount Speaker. Topics include:

- [About this Guide](#)
- [About the SM 26 Surface Mount Speaker](#)
- [Features](#)
- [Application Diagram](#)

About this Guide

This guide describes the Extron SM 26 surface mount speaker and discusses how to install, configure, and operate it.

In this guide, the terms “SM 26” and “speaker” refer to the SM 26 surface mount speaker.

About the SM 26 Surface Mount Speaker

The SM 26 speaker is a surface-mount speaker system that features a 6.5-inch woofer and a one-inch tweeter with very wide audio dispersion. Speaker mounting incorporates a separate mounting plate that can be attached directly to a wall. The speaker wiring attaches to the mounting plate so that the speaker can easily slide into the mounting plate, making electrical contact between the plate and the contacts on the speaker. A built-in locking mechanism between the speaker and the mounting plate also prevents the speaker from being removed by unauthorized personnel. The speaker may be easily removed by depressing a hidden release mechanism that does not require tools.

Features

- **Mounting options** —
 - Flat (0°) mounting plate
 - Angled (10°) mounting adapter
 - Yoke mount kit (optional)
- **Available in two versions** —
 - SM 26: with 8-ohm input
 - SM 26T: with internal transformer and 8-ohm/70V/100V tap selector switch
- **6.5-inch woofer with 1-inch tweeter** — Full range with a wide audio dispersion.
- **Dual tuned bass-reflex ports**
- **Rated power** — 60 W continuous pink noise (per IEC 60268-5); 120 W continuous program.
- **Frequency response** — 70 Hz to 20 kHz, -10 dB (half space)

- **Color options** — Available in black or white finishes.
- **Automatic speaker connection** — Recessed gold-plated contact pins integrated into each speaker automatically make an electrical connection when the speaker is mounted to the wall mounting plate.
- **Hidden release mechanism** — The speaker automatically locks on to the wall mounting plate to prevent tampering, but a hidden release mechanism allows the speaker to be quickly unlocked without the use of tools.
- **Security key** — A special key allows the speaker to be locked or unlocked to the mounting plate.

Application Diagram

The following diagram shows an example of how the SM 26 surface mount speakers can be connected.

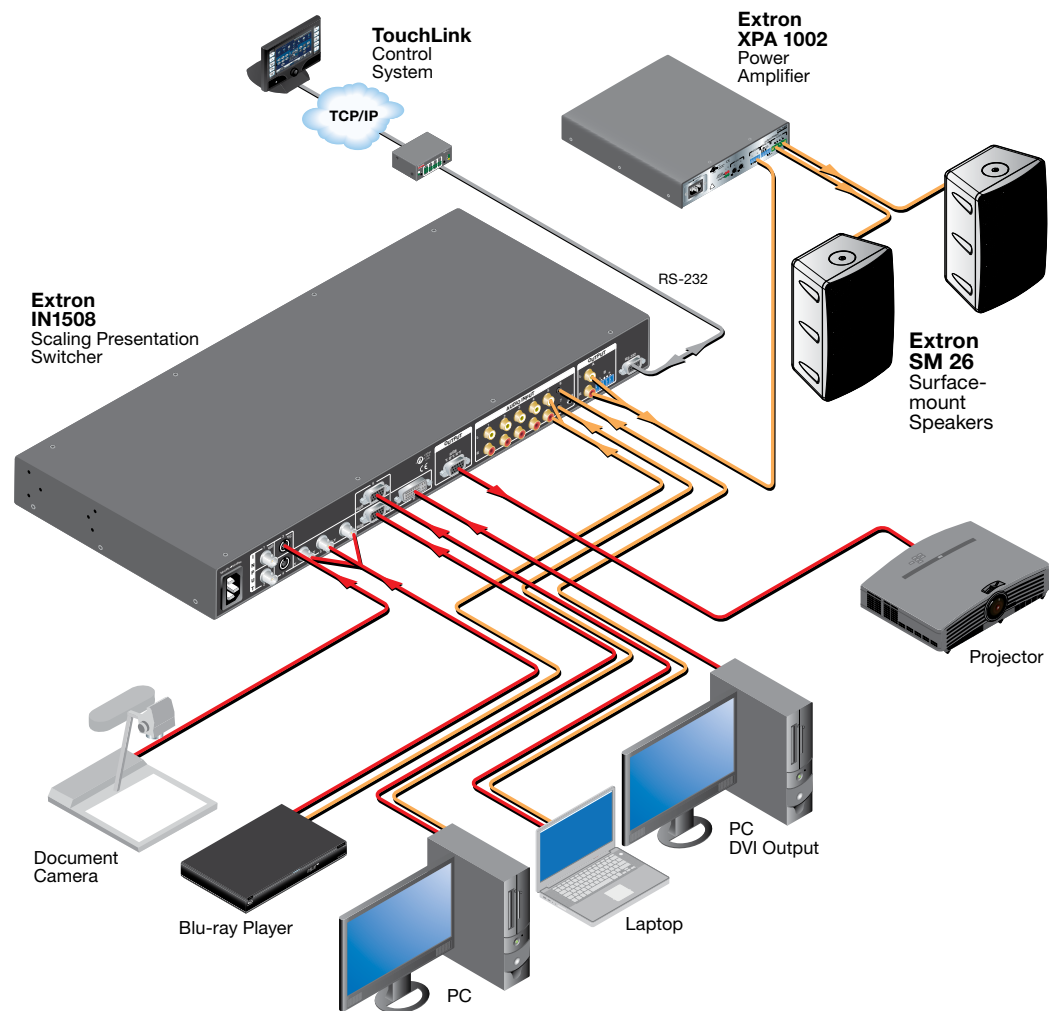


Figure 1. Application Diagram for the SM 26 Surface Mount Speakers

Installation

NOTE: Unless otherwise stated, mounting hardware is not included.

This section describes the installation and setup of the SM 26 surface mount speaker. Topics include:

- **Installing the Speaker Mounting Plate**
- **Mounting to a Wall Stud**
- **Yoke Mounting the SM 26**
- **Attaching a Secondary Support Cable**
- **Attaching the Speaker to the Mounting Plate**
- **Setting the Tap Selector Switch (SM 26T Model Only)**
- **Using the Security Key to Lock and Unlock the Speaker**
- **Removing the Speaker from the Mounting Plate**

Installing the Speaker Mounting Plate

The SM 26 speaker comes with a flat mounting plate and an adapter for positioning the speaker 10° up, down, left, or right.

- **0° mounting plate** — The flat (0°) mounting plate allows the speaker to be mounted flat on a suitable surface.
- **10° mounting adapter** — The 10° mounting adapter allows the speaker to be installed at a 10 degree angle so that the speaker can be pointed up, down, left, or right from an elevated position by rotating the adapter.

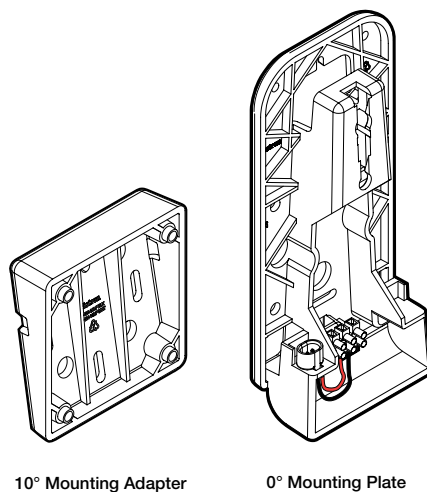


Figure 2. Mounting Adapter and Mounting Plate

The mounting plate can be installed vertically or horizontally, as shown below.

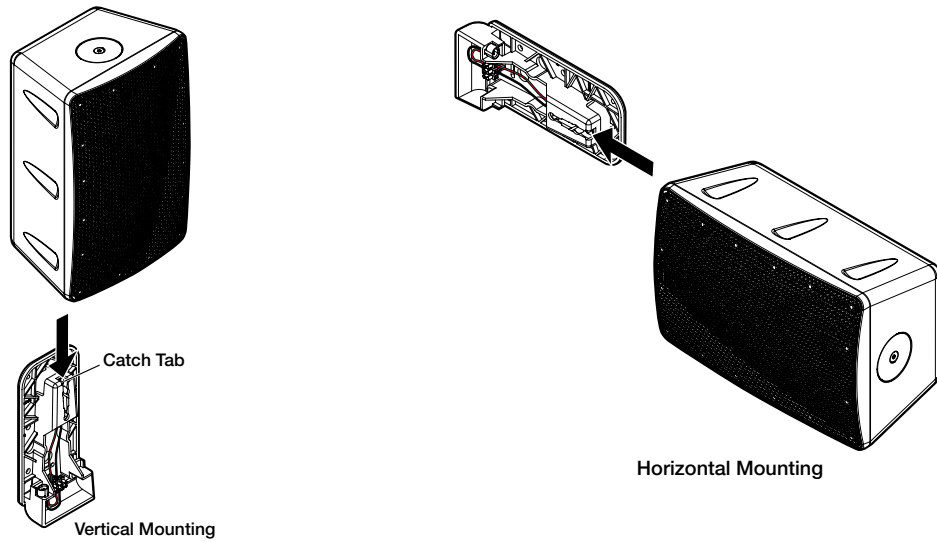


Figure 3. Positioning the Mounting Plate

NOTE: Observe all applicable building codes and local ordinances when installing the speaker.

Mounting to a Wall Stud

NOTE: Mounting hardware not provided.

1. Locate the wall stud where the mounting plate will be installed.
2. If using the 10° mounting adapter, position the adapter to the wall stud according to how the speaker will be angled and mark the positions of the pilot holes. See the figure below for mounting hole locations.

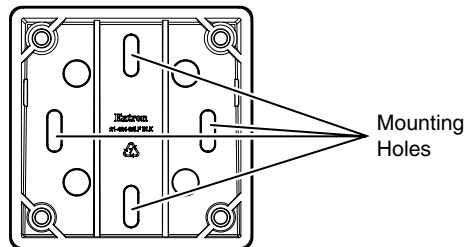


Figure 4. Mounting the Adapter

If not using the adapter, position the mounting plate against the wall. The #26 arrow molded into the mounting plate indicates the vertical midpoint of the SM 26 speaker when it is mounted on a wall stud. While positioning the mounting plate on the wall, mark the location of two pilot holes using the holes indicated below.

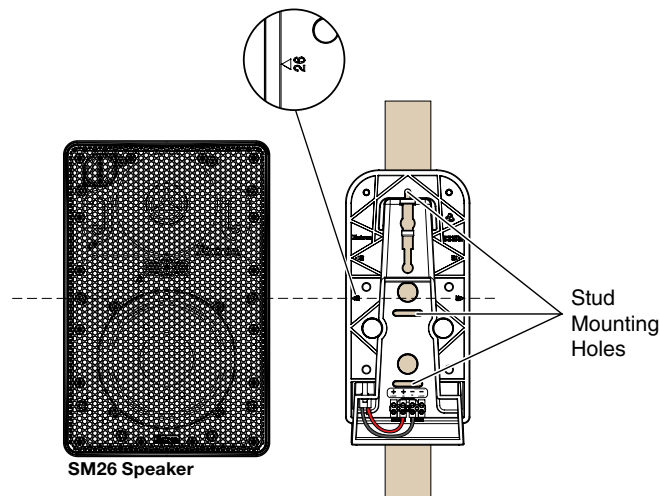


Figure 5. Positioning the Mounting Plate

NOTE: A speaker wire access hole (see the figure in step 6) must also be cut in the wall, so mark that hole location now with the mounting plate positioned on the wall while ensuring that the wall stud does not interfere with the wire routing and that the mounting plate hides the access hole.

3. Drill the mounting plate pilot holes and cut the speaker wire access hole, as previously marked.
4. Install the speaker cables into the wall before installing the speaker mounting plate. Leave enough slack in the cable.

- The SM 26 can be mounted with or without the 10° mounting adapter. In either case the wiring of the quick connect contacts remains the same, but the wire routing will vary.

Routing the wires without the 10° mounting adapter

Route the speaker cable through the rear of the 0° mounting plate and attach the wire ends to the quick connect contacts using a small screwdriver, as shown below. Be sure to observe the correct polarity.

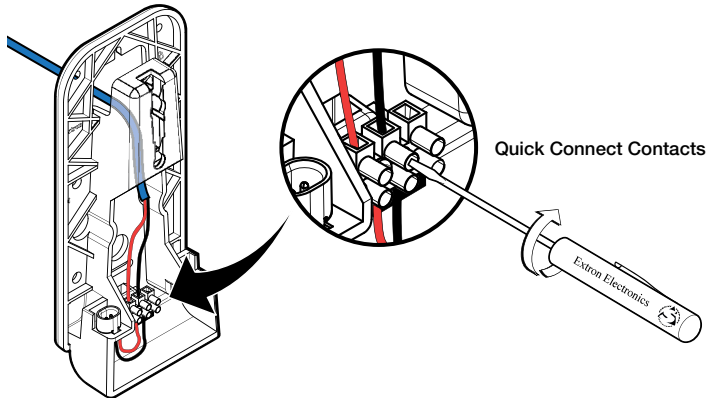
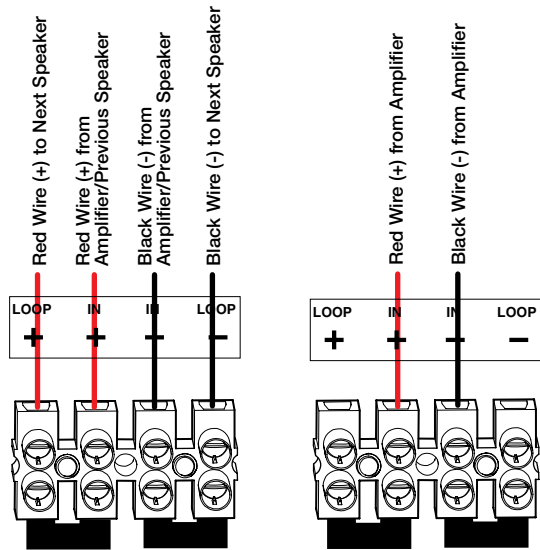


Figure 6. Routing the Wires Without the Mounting Adapter



Loop-through Connection Single speaker Connection

Wire Gauge Table

Number of Wires per Connection Point	Maximum Wire Gauge
1	12 AWG
2	16 AWG
4	18 AWG

Figure 7. Wiring the Connectors

Routing the wires with the 10° mounting adapter

Route the speaker cable through the 10° mounting adapter and the 0° mounting plate, and attach the adapter to the 0° mounting plate using the four included screws and washers, as shown below. Then attach the wire ends to the quick connect contacts using a small screwdriver, as shown below.

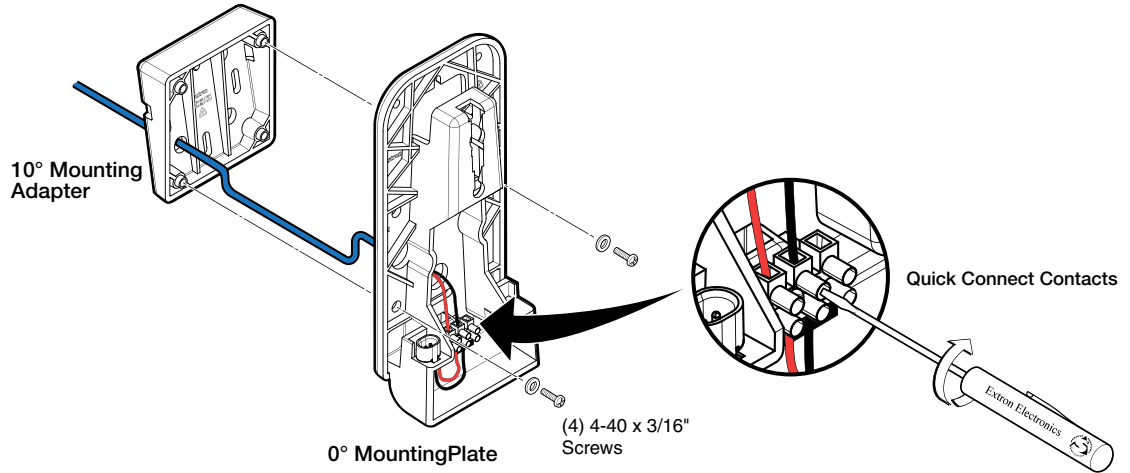


Figure 8. Routing Wires Through the Adapter and Plate

NOTE: If surface mounting, route wires through alternate access points.

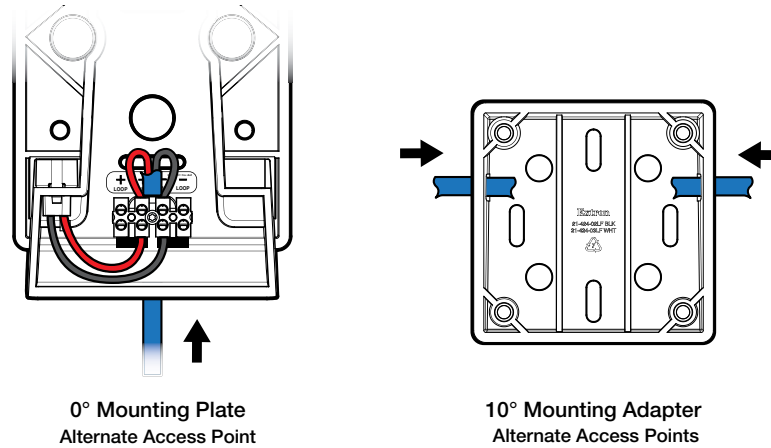


Figure 9. Routing Wires Through Alternate Access Points

6. Attach the mounting plate to the wall, as shown below.

ATTENTION: Use the appropriate mounting screws. The screw heads must not protrude more than 0.27 inch (7 mm) above the screw holes in the mounting plate (see the figure below). If the screw head protrudes too far above the mounting plate surface, damage to the speaker may occur when the speaker is attached.

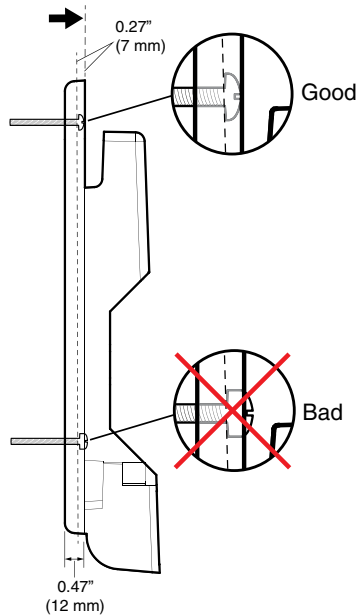


Figure 10. Screw Head Clearance

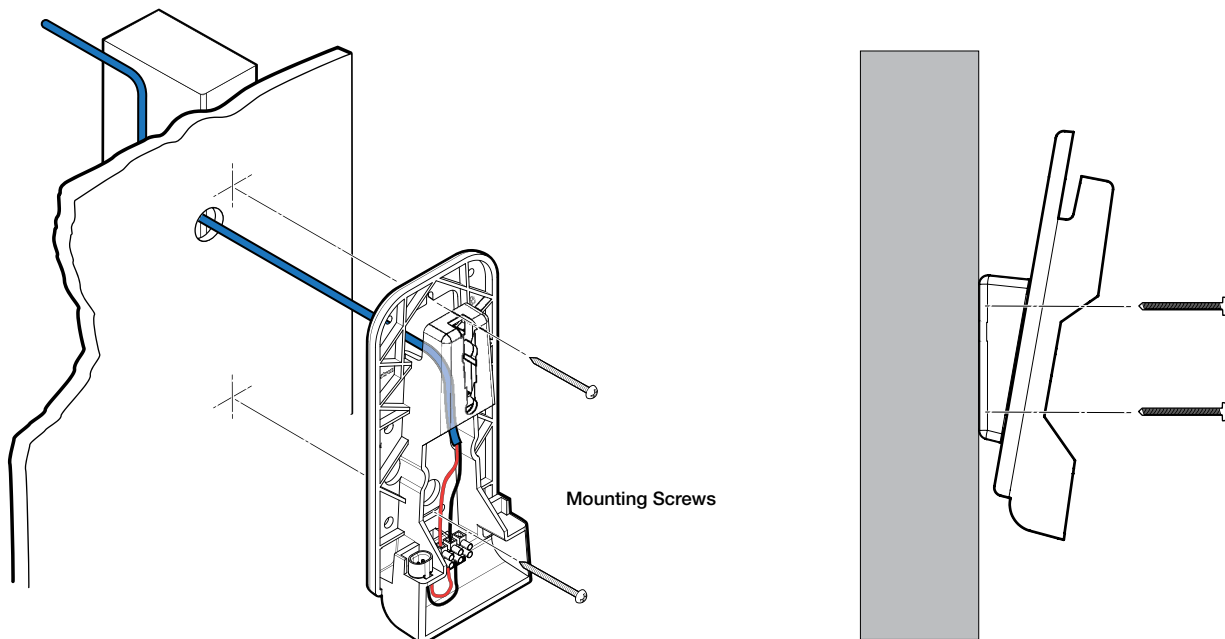


Figure 11. Attaching the Mounting Plate to the Wall

Yoke Mounting the SM 26

The SM 26 can be mounted using the optional yoke mount kit. Refer to the *Yoke Mount Kit Setup Guide* for installation details.

Attaching a Secondary Support Cable

If a secondary support cable is being attached, attach the cable to the eye bolt, as shown below. The cable end should be properly swaged.

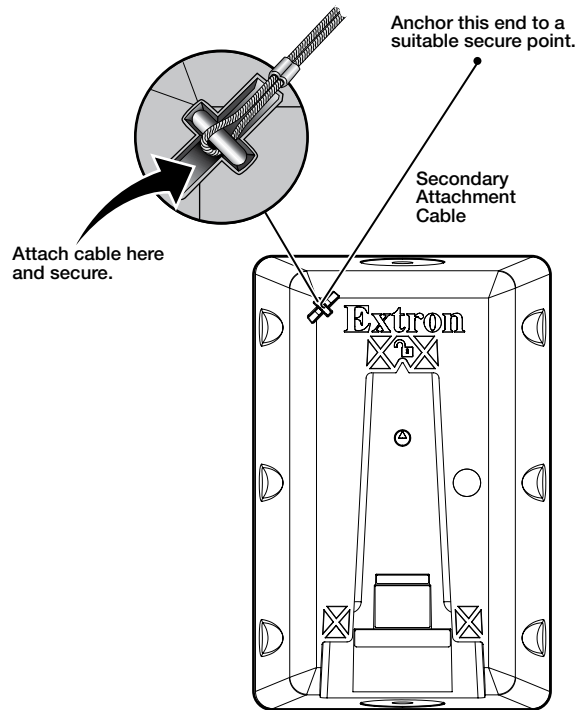


Figure 12. Attaching the Support Cable

NOTE: The secondary support cable must be attached before attaching the 0° mounting plate.

Attaching the Speaker to the Mounting Plate

ATTENTION: By default, the SM 26 speaker is shipped unlocked. When mounting the speaker to the mounting plate, be sure that the speaker is unlocked. Failure to place the speaker in the unlocked position will result in damage to the speaker lock mechanism should an attempt be made to mount a locked speaker (see “[Using the Security Key to Lock and Unlock the Speaker](#)” on page 12).

NOTE: If the secondary attachment point is being used, see the “[Attaching a Secondary Support Cable](#)” on page 9 for installation details before proceeding further.

Position the rear mounting slot of the speaker above the catch tab of the mounting plate, then slide the speaker down into the mounting plate until a click is heard indicating that the speaker is secured in place (see figure below). When properly seated, the speaker connections are automatically made.

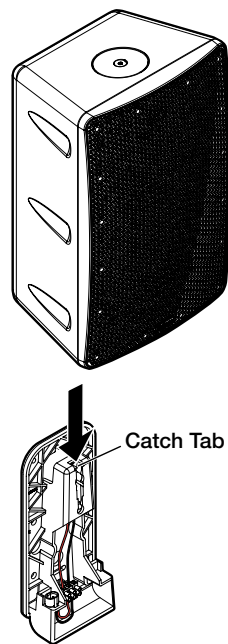


Figure 13. Attaching the Speaker to the Mounting Plate

Setting the Tap Selector Switch (SM 26T Model Only)

For the SM 26T model, insert a small screwdriver through the upper left portion of the front grille, as shown below, to adjust the tap selector switch to the desired setting.

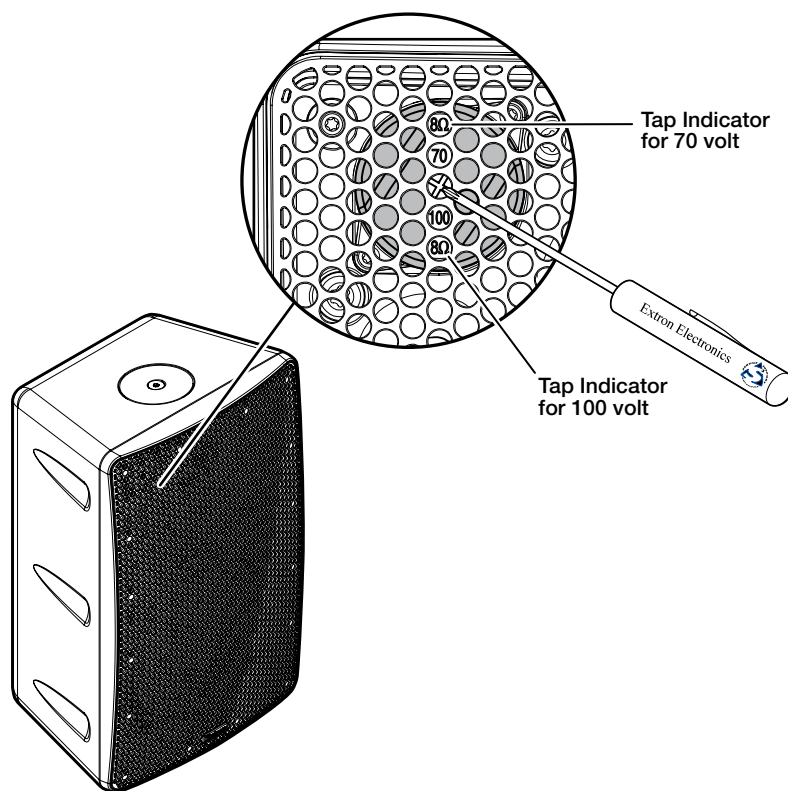


Figure 14. Setting the Tap Selector Switch

Using the Security Key to Lock and Unlock the Speaker

Insert the key into the center of the speaker grille and turn the key, as needed, so that the speaker is in the unlocked position (see the figure below). There are three small raised “dimples” (see the bottom figure below) on the grille surface that surrounds the keyhole. Repeat this procedure, but set the key to the locked position to lock the speaker.

ATTENTION: The key must be rotated to the unlocked position before the speaker is attached to the mounting plate. Failure to place the speaker in the unlocked position will result in damage to the speaker lock mechanism should an attempt be made to mount the speaker.

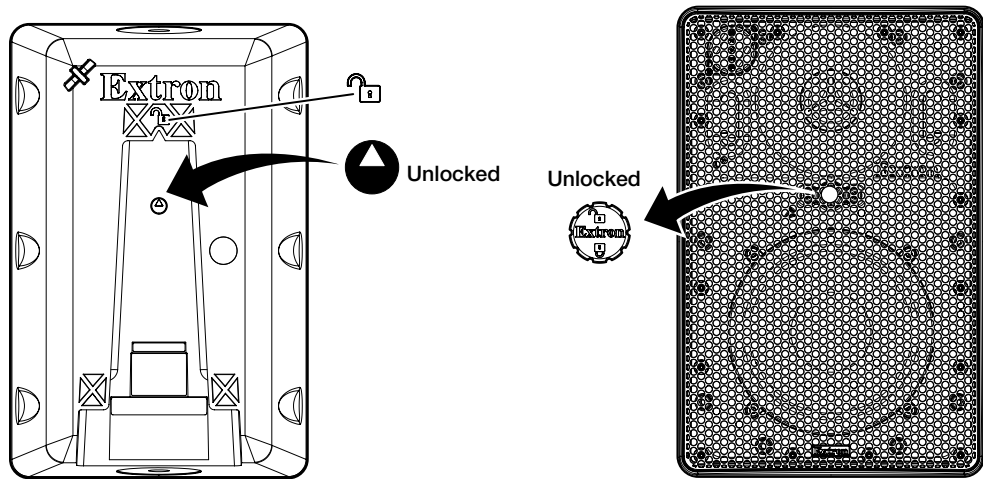


Figure 15. Unlocking the Speaker

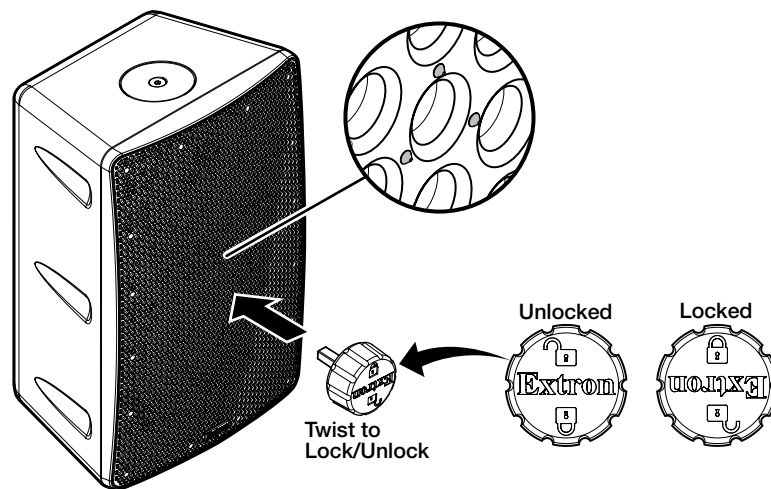


Figure 16. Using the Security Key to Lock and Unlock the Speaker

Removing the Speaker from the Mounting Plate

To remove the speaker from the mounting plate, you must unlatch the locking mechanism.

1. Insert the security key into the keyhole of the speaker grille (see the previous section) and turn the key to the unlock position.
2. Remove the security key.
3. Apply pressure to the grille with your finger over the “dimpled” keyhole to unlatch the speaker from the mounting plate while lifting up on the speaker (see figure below).

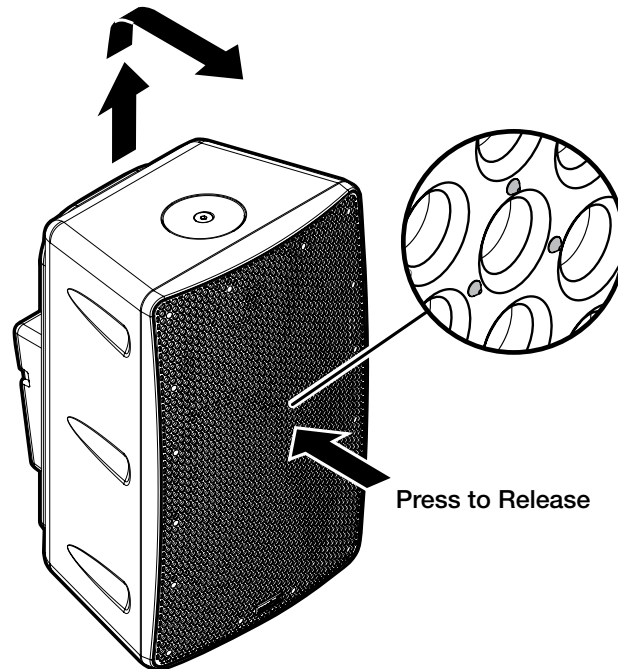


Figure 17. Removing the Speaker from the Mounting Plate

Extron Warranty

Extron Electronics warrants this product against defects in materials and workmanship for a period of five years from the date of purchase. In the event of malfunction during the warranty period attributable directly to faulty workmanship and/or materials, Extron Electronics will, at its option, repair or replace said products or components, to whatever extent it shall deem necessary to restore said product to proper operating condition, provided that it is returned within the warranty period, with proof of purchase and description of malfunction to:

**USA, Canada, South America,
and Central America:**

Extron Electronics
1230 South Lewis Street
Anaheim, CA 92805
U.S.A.

Japan:

Extron Electronics, Japan
Kyodo Building, 16 Ichibancho
Chiyoda-ku, Tokyo 102-0082
Japan

Europe and Africa:

Extron Europe
Hanzeboulevard 10
3825 PH Amersfoort
The Netherlands

China:

Extron China
686 Ronghua Road
Songjiang District
Shanghai 201611
China

Asia:

Extron Electronics Asia Pte Ltd
135 Joo Seng Road, #04-01
PM Industrial Bldg.
Singapore 368363
Singapore

Middle East:

Extron Middle East
Dubai Airport Free Zone
F12, PO Box 293666
United Arab Emirates, Dubai

This Limited Warranty does not apply if the fault has been caused by misuse, improper handling care, electrical or mechanical abuse, abnormal operating conditions, or if modifications were made to the product that were not authorized by Extron.

NOTE: If a product is defective, please call Extron and ask for an Application Engineer to receive an RA (Return Authorization) number. This will begin the repair process.

USA: 714.491.1500 or 800.633.9876
Asia: 65.6383.4400

Europe: 31.33.453.4040
Japan: 81.3.3511.7655

Units must be returned insured, with shipping charges prepaid. If not insured, you assume the risk of loss or damage during shipment. Returned units must include the serial number and a description of the problem, as well as the name of the person to contact in case there are any questions.

Extron Electronics makes no further warranties either expressed or implied with respect to the product and its quality, performance, merchantability, or fitness for any particular use. In no event will Extron Electronics be liable for direct, indirect, or consequential damages resulting from any defect in this product even if Extron Electronics has been advised of such damage.

Please note that laws vary from state to state and country to country, and that some provisions of this warranty may not apply to you.

Extron Headquarters +1.800.633.9876 (Inside USA/Canada Only) Extron USA - West +1.714.491.1500 +1.714.491.1517 FAX	Extron Europe +800.3987.6673 (Inside Europe Only) Extron USA - East +1.919.850.1000 +1.919.850.1001 FAX	Extron Asia 800.3987.6673 (Inside Asia Only) +65.6383.4400 +65.6383.4664 FAX	Extron Japan +81.3.3511.7655 +81.3.3511.7656 FAX	Extron China +4000.398766 (Inside China Only) +86.21.3760.1568 +86.21.3760.1566 FAX	Extron Middle East +971.4.299.1800 +971.4.299.1880 FAX	Extron Korea +82.2.3444.1571 +82.2.3444.1575 FAX	Extron India 1800.3070.3777 (Inside India Only) +91.80.3055.3777 +91.80.3055.3737 FAX
---	---	---	---	--	---	---	--